

POT FILLER Concealed wall elbow -

35 087 970

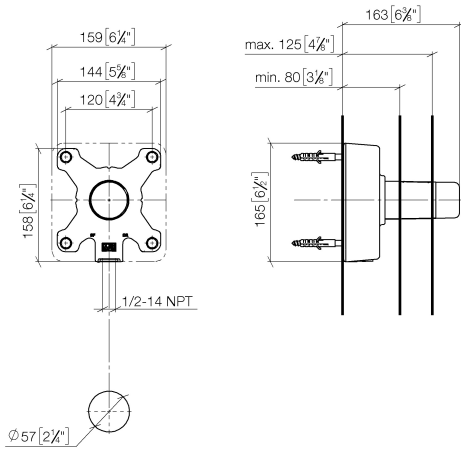


- female thread 1/2" connection
- anti-water packing
- soundproofing
- dust cover
- min. recess depth 80 mm
- max. recess depth 125 mm

POT FILLER Concealed wall elbow -

35 087 970

mm [inches]



Codes & Standards

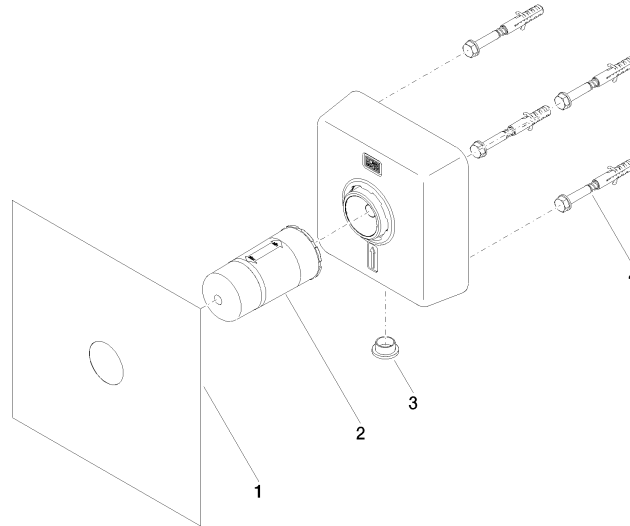
ASME A112.18.1/CSA B125.1	NSF/ANSI/CAN 61
---------------------------------	--------------------

Certificates

IAPMO_N-4976 (2). IAPMO_6397 (1). IAPMO_4976 (4).

POT FILLER Concealed wall elbow -

35 087 970



Spare parts list

No.	Item Number	Name	Quantity used	Delivery time
1	04 14 03 079 00 90	gasket kit	1	2
2	09 21 02 177 90	cap	1	2
3	09 31 20 092 90	plug	1	2
4	04 30 31 012 00 90	fixing set	1	2